

## DESCRIPTION

LVD-218-70 OPTION A02, A04100, A05 HAS AN OPERATING FREQUENCY RANGE OF 0.5GHz TO 18GHz. THE DLVA'S ARE OF SUPERIOR CONSTRUCTION USING STATE-OF-THE-ART MIC/MMIC TECHNOLOGY. THE SIZE IS 3.0" x 3.5" x 0.5".

## FEATURES

- TRULY DC COUPLED
- WIDE BANDWIDTHS
- FAST RISE TIMES
- SHORT RECOVERY TIMES
- SUPERIOR ACCURACY
- EXTENDED DYNAMIC RANGE CAPABILITY
- MINIATURE SIZE
- 7.2 OZ WEIGHT

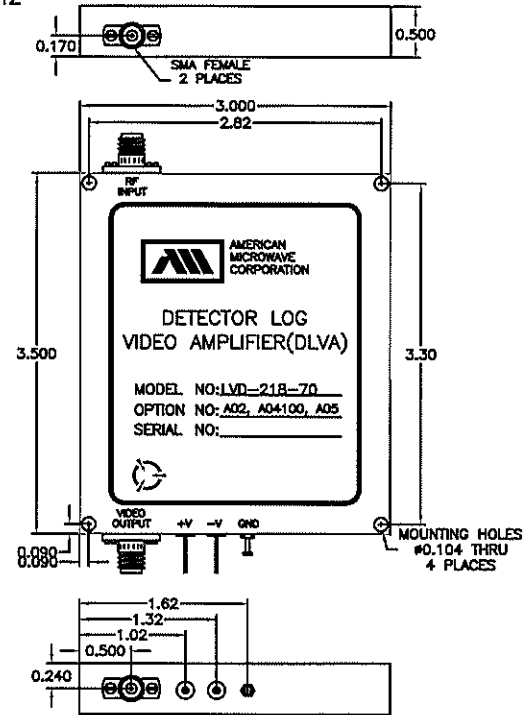
## SPECIFICATIONS

- FREQUENCY RANGE: ..... 0.5 - 18GHz
- FREQUENCY FLATNESS: .....  $\pm 2.0$  dB MAXIMUM
- TSS: ..... -68 dBm TYPICAL
- VSWR: ..... 3.0:1 MAXIMUM
- DYNAMIC RANGE: ..... 75 dB TYPICAL
- LOGGING RANGE: ..... -65 TO +5 dBm
- LOG LINEARITY: .....  $\pm 1.75$  dB MAXIMUM
- LOG SLOPE: ..... 100 mV/dB TYPICAL
- LOG SLOPE ACCURACY: .....  $\pm 10\%$
- LOG TEMPERATURE STABILITY: .....  $\pm 1.75$  dB (0°C TO +60°C)
- RISE TIME: ..... 30 nSec MAXIMUM
- RECOVERY TIME: ..... 200 nSec TYPICAL, 350 nSec MAXIMUM
- VIDEO LOAD: ..... 93 OHMS MINIMUM
- DC POWER (NO LOAD)
  - +V: ..... 15V @ 350 mA MAXIMUM
  - V: ..... 15V @ 200 mA MAXIMUM
- SIZE: ..... 3.00" x 3.5" x 0.5"

NOTE: SPECIFICATIONS WILL VARY OVER OPERATING TEMPERATURE  
NOTE: THE ABOVE SPECIFICATIONS ARE SUBJECT TO CHANGE OR REVISION

ALL DIMENSIONS ARE IN INCHES  
TOLERANCES:  
X.XX  $\pm 0.020$   
X.XXX  $\pm 0.010$

REVISIONS				
ZONE	REV.	DESCRIPTION	DATE	APPROVED
-	-	ORIGINAL RELEASE	11/19/07	



## ENVIRONMENTAL RATINGS

- TEMPERATURE: ..... -54°C TO +85°C (OPERATING)  
..... -65°C TO +100°C (STORAGE)
- HUMIDITY: ..... MIL-STD-202F, METHOD 103B COND. B
- SHOCK: ..... MIL-STD-202F, METHOD 213B COND. B
- VIBRATION: ..... MIL-STD-202F, METHOD 204D COND. B
- ALTITUDE: ..... MIL-STD-202F, METHOD 105C COND. B
- TEMPERATURE CYCLE: ..... MIL-STD-202F, METHOD 107D COND. A

## AMERICAN MICROWAVE CORPORATION

7311-G GROVE ROAD  
FREDERICK, MARYLAND 21704 USA  
TEL: 301-662-4700 FAX: 301-662-4938  
WEBSITE: [www.americanmicrowavecorp.com](http://www.americanmicrowavecorp.com)  
E-MAIL: [sales@americanmicrowavecorp.com](mailto:sales@americanmicrowavecorp.com)  
ISO 9001:2000 CERTIFIED

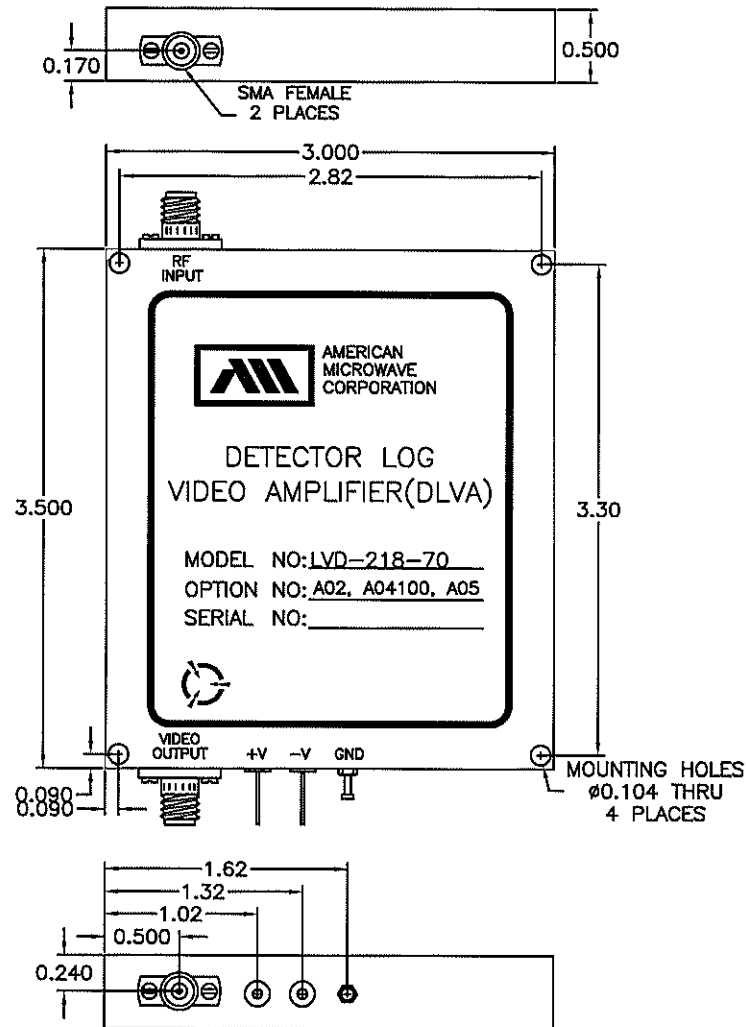


APPROVALS		DATE	TITLE			
DRAWN	KMS	11/20/07	PRODUCT FEATURE LVD-218-70 OPTION A02,A04100, A05 DC COUPLED DETECTOR LOG VIDEO AMPLIFIER			
REDRAWN	LC	11/20/07	SIZE	FSCM NO.	DWG NO.	REV.
ISSUED			A	60483	100-2827-3	-
			SCALE	N:S	SHEET 1 OF 3	

**DESCRIPTION**

LVD-218-70 OPTION A02, A04100, A05 HAS AN OPERATING FREQUENCY RANGE OF 0.5GHz TO 18GHz. THE DLVA'S ARE OF SUPERIOR CONSTRUCTION USING STATE-OF-THE-ART MIC/MMIC TECHNOLOGY. THE SIZE IS 3.0" x 3.5" x 0.5".

**MECHANICAL OUTLINE**



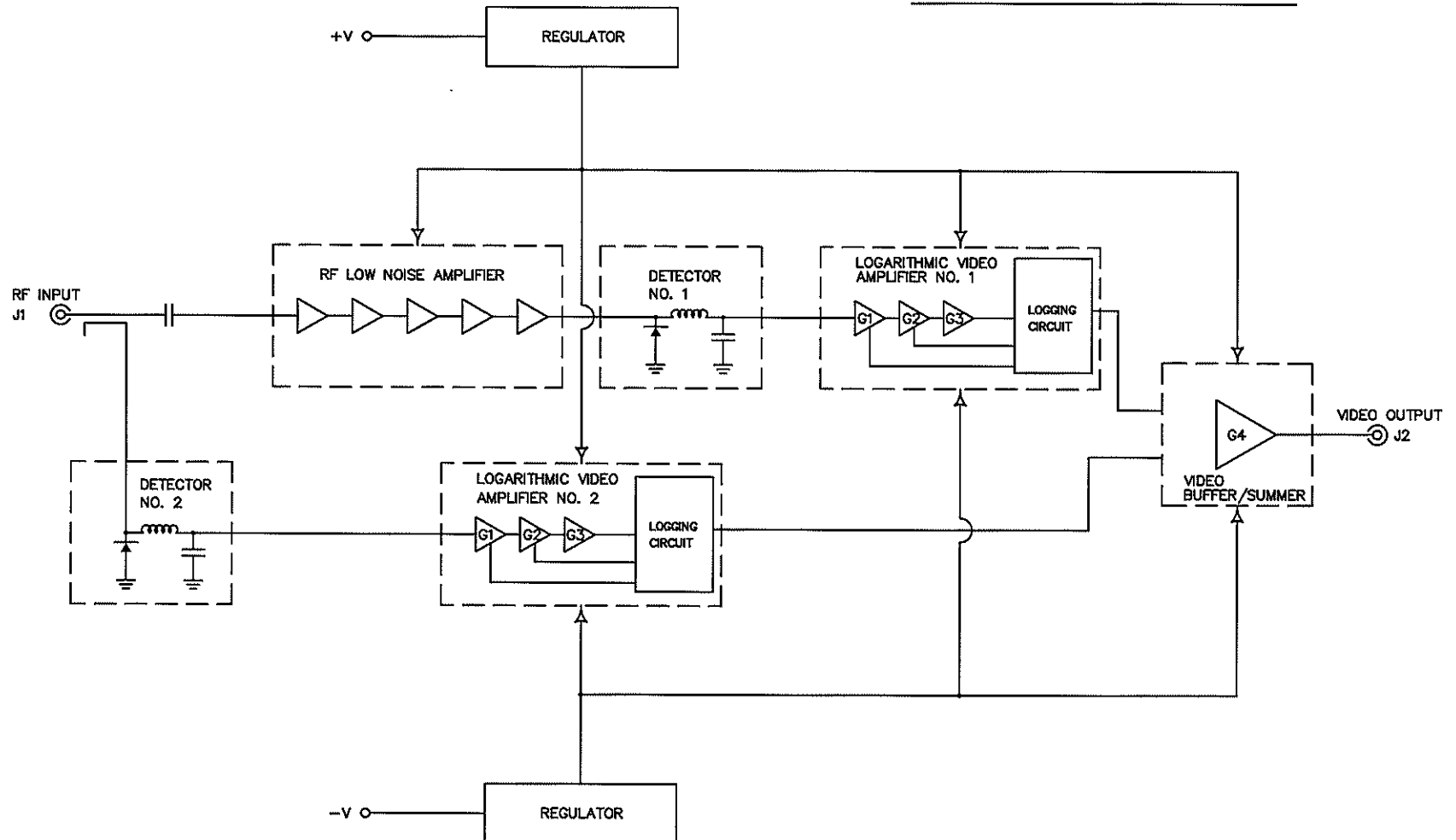
ALL DIMENSIONS ARE IN INCHES  
 TOLERANCES:  
 X.XX ±0.020  
 X.XXX ±0.010

TITLE			
MECHANICAL OUTLINE			
LVD-218-70			
OPTION A02, A04100, A05			
DC COUPLED DETECTOR LOG VIDEO AMPLIFIER			
SIZE	FSCM NO.	DWG NO.	REV.
A	60483	100-2827-3	-
SCALE N:S		SHEET 2 OF 3	

## DESCRIPTION

LVD-218-70 OPTION A02, A04100, A05 HAS AN OPERATING FREQUENCY RANGE OF 0.5GHz TO 18GHz. THE DLVA'S ARE OF SUPERIOR CONSTRUCTION USING STATE-OF-THE-ART MIC/MMIC TECHNOLOGY. THE SIZE IS 3.0" x 3.5" x 0.5".

## FUNCTIONAL BLOCK DIAGRAM



**CONFIDENTIAL AND PROPRIETARY**

TITLE			
FUNCTIONAL BLOCK DIAGRAM LVD-218-70 OPTION A02, A04100, A05 DC COUPLED DETECTOR LOG VIDEO AMPLIFIER			
SIZE	FSCM NO.	DWG NO.	REV.
A	60483	100-2827-3	-
SCALE	N:S	SHEET	3 OF 3